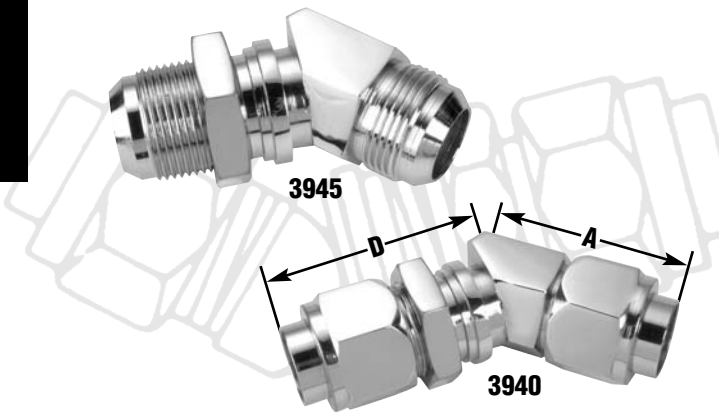


# 37° FLARE TUBE FITTINGS

T A P E R E D P I P E T H R E A D

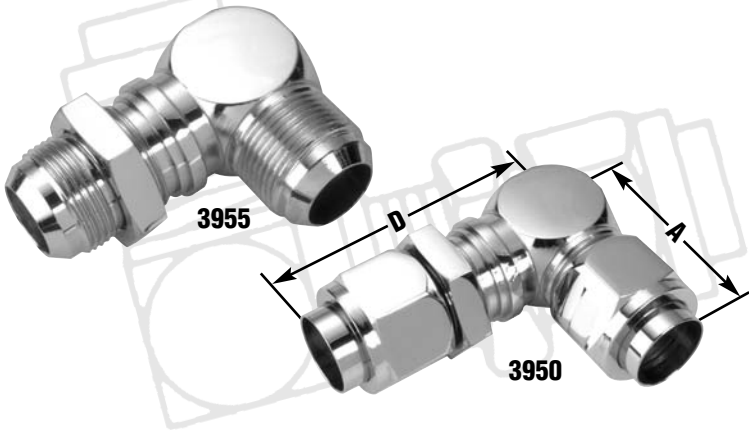
## 3945 / 3940 BULKHEAD 45° UNION ELBOW FLARE TUBE END - BOTH OPENINGS



### 3945 / 3940 • Bulkhead 45° Union Elbow

Body Only Part No.	Complete Assem. Part No.	Tube O.D.	Bulkhead Hole Diameter	"A" (Tube Leg)	"D" (Bulkhead Leg)
3945-4	3940-4	1/4"	15/32"	13/32"	23/32"
3945-5	3940-5	5/16"	17/32"	15/32"	25/32"
3945-6	3940-6	3/8"	19/32"	19/32"	213/32"
3945-8	3940-8	1/2"	25/32"	11/2"	223/32"
3945-10	3940-10	5/8"	29/32"	123/32"	33/32"
3945-12	3940-12	3/4"	13/32"	17/8"	311/32"
3945-14	3940-14	7/8"	17/32"	23/32"	317/32"
3945-16	3940-16	1"	111/32"	27/32"	321/32"
3945-20	3940-20	1 1/4"	121/32"	27/16"	41/16"
3945-24	3940-24	1 1/2"	129/32"	27/8"	415/32"

## 3955 / 3950 BULKHEAD UNION ELBOW FLARE TUBE END - BOTH OPENINGS

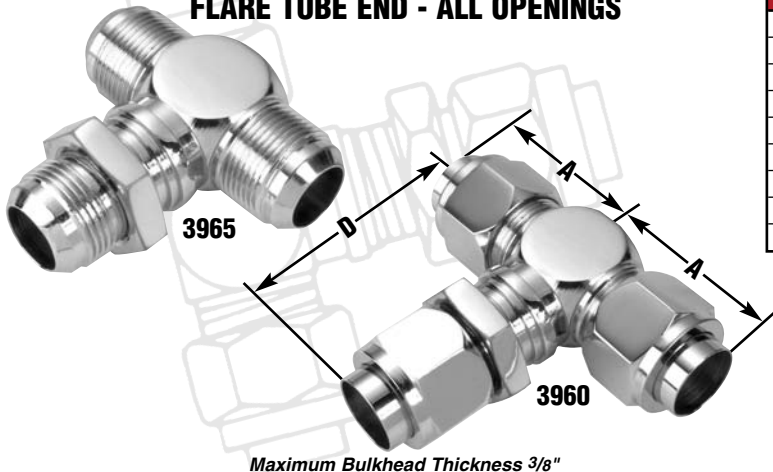


### 3955 / 3950 • Bulkhead Union Elbow

Body Only Part No.	Complete Assem. Part No.	Tube O.D.	Bulkhead Hole Diameter	"A" (Tube Leg)	"D" (Bulkhead Leg)
3955-4	3950-4	1/4"	15/32"	19/32"	23/32"
3955-5	3950-5	5/16"	17/32"	113/32"	25/32"
3955-6	3950-6	3/8"	19/32"	117/32"	113/32"
3955-8	3950-8	1/2"	25/32"	17/8"	223/32"
3955-10	3950-10	5/8"	29/32"	25/32"	33/32"
3955-12	3950-12	3/4"	13/32"	211/32"	311/32"
3955-14	3950-14	7/8"	17/32"	21/2"	317/32"
3955-16	3950-16	1"	111/32"	221/32"	321/32"
3955-20	3950-20	1 1/4"	121/32"	3"	41/16"
3955-24	3950-24	1 1/2"	129/32"	37/16"	419/32"
3955-32	3950-32	2"	217/32"	4 3/16"	51/4"

Maximum Bulkhead Thickness 3/8"

## 3965 / 3960 BULKHEAD TEE FLARE TUBE END - ALL OPENINGS



### 3965 / 3960 • Bulkhead Tee

Body Only Part No.	Complete Assem. Part No.	Tube O.D.	Bulkhead Hole Diameter	"A" (Tube Leg)	"D" (Bulkhead Leg)
3965-4	3960-4	1/4"	15/32"	19/32"	23/32"
3965-5	3960-5	5/16"	17/32"	113/32"	25/32"
3965-6	3960-6	3/8"	19/32"	117/32"	213/32"
3965-8	3960-8	1/2"	25/32"	17/8"	223/32"
3965-10	3960-10	5/8"	29/32"	25/32"	33/32"
3965-12	3960-12	3/4"	13/32"	211/32"	311/32"
3965-14	3960-14	7/8"	17/32"	21/2"	317/32"
3965-16	3960-16	1"	111/32"	221/32"	321/32"
3965-20	3960-20	1 1/4"	121/32"	3"	41/16"

For body only, change the last number preceding the dash of part number from 0 to 5. Example: 3100-12-12 becomes 3105-12-12.